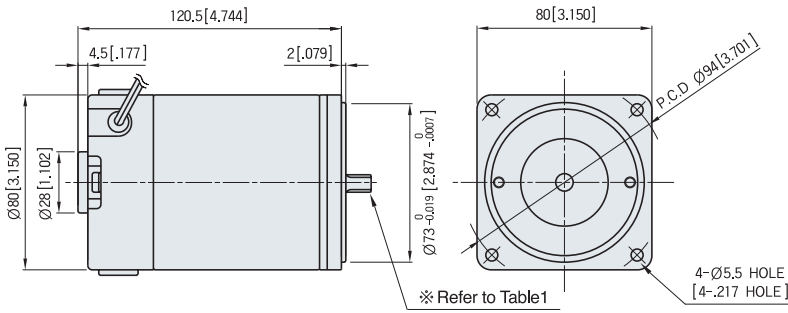


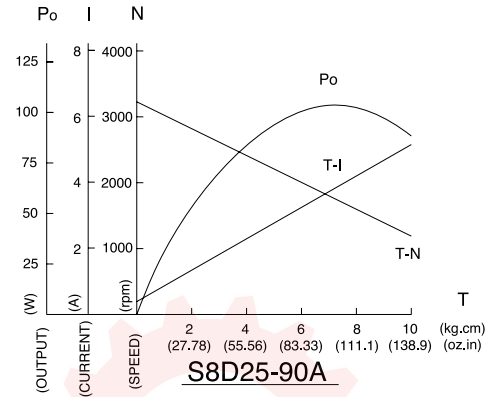
STANDARD TYPE S8D SERIES [25~40W]

MOTOR DIMENSION

UNIT : mm[inch]



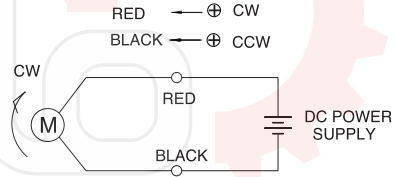
CHARACTERISTIC CURVE



▼ SPEC for output shaft of motor-(Table 1)

MODEL	GEARED TYPE	STRAIGHT TYPE	D-CUT TYPE	KEY TYPE
	S8D25-□A S8D40-□A	S8D25-□S S8D40-□S	S8D25-□D S8D40-□D	S8D25-□K S8D40-□K
TYPE OF OUTPUT SHAFT				

CIRCUIT DIAGRAM



The direction of motor rotation is as viewed from the front shaft end of the motor

MOTOR SPECIFICATION

(Voltage : DC 24V)

Type	Voltage	Output	No Load		At Rated Load			Run Duty	Weight	
			Speed	Current(MAX.)	Speed	Torque	Current			
	V	W	RPM	A	RPM	N·m	A	Hr	Kg	
S8D25-12□	12	25	3200	1.40	3100	0.078	N·m	3.80	2000	1.7
						11.1	oz·in			
						0.80	kgf·cm			
S8D25-24□	24	25	3000	0.70	2850	0.083	N·m	1.70	2000	1.7
						11.8	oz·in			
						0.85	kgf·cm			
S8D25-90□	90	25	3200	0.20	3000	0.078	N·m	0.50	2000	1.7
						11.1	oz·in			
						0.80	kgf·cm			
S8D40-12□	12	40	3200	2.50	2900	0.132	N·m	7.40	2000	1.7
						18.7	oz·in			
						1.35	kgf·cm			
S8D40-24□	24	40	3100	0.80	3000	0.127	N·m	2.30	2000	1.7
						18.0	oz·in			
						1.30	kgf·cm			
S8D40-90□	90	40	3200	0.30	3000	0.127	N·m	0.70	2000	1.8
						18.0	oz·in			
						1.30	kgf·cm			

※ Run duty is valued at rated Voltage and No load

21C, for World geared motor!

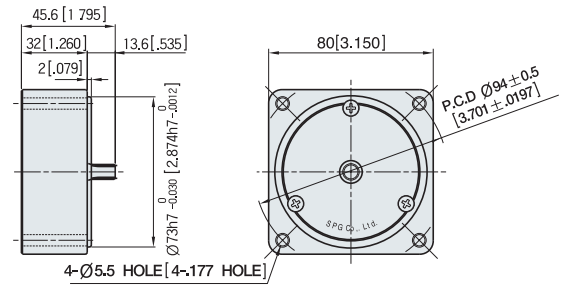
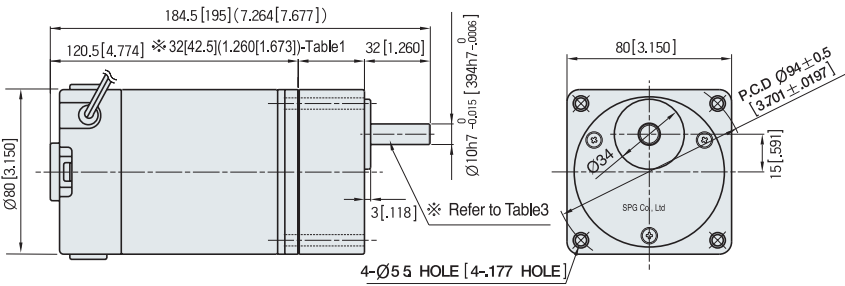


GEARED MOTOR SPECIFICATION

UNIT : mm[inch]

▼ **GEARED MOTOR** ※ MOTOR MODEL : S8D25-□A, S8D40-□A
 ※ HEAD MODEL : S8□A3□~S8□A20□

▼ **INTER-DECIMAL GEAR HEAD**
 ※ MODEL : S8GX10B



▼ ※30(40) – (Table1)

GEAR RATIO	SIZE:mm[inch]
S8 □ A3 □ ~ S6 □ A18 □	32 [1.260]
S8 □ A20 □ ~ S6 □ A250 □	42.5 [1.673]

▼ **WEIGHT** – (Table2)

PART	WEIGHT:kg[oz]	
MOTOR	1.7/1.8(60.0/63.5)	
DECIMAL GEAR HEAD	0.43(15.2)	
GEAR HEAD	S8 □ A3 □ ~ S8 □ A18 □	0.43(15.2)
	S8 □ A20 □ ~ S8 □ A40 □	0.57(20.1)
	S8 □ A50 □ ~ S8 □ A250 □	0.61(21.5)

▼ **SPEC for output shaft of gearhead**-(Table3)

MODEL	TYPES OF OUTPUT SHAFT
S8SA3 □ ~ S8SA250 □	STRAIGHT TYPE
	D-CUT TYPE
S8DA3 □ ~ S8DA250 □	KEY TYPE

▼ **KEY SPEC**

GEAR HEAD	MOTOR

GEAR HEAD RATED LOAD

S8D25-90A

MODEL	GEAR RATIO	3	3.6	5	6	7.5	9	10	12.5	15	18	20	25	30	36	40	50	60	75	90	100	120	150	180	200
	No Load rpm		1067	889	640	533	427	356	320	256	213	178	160	128	107	89	80	64	53	43	36	32	27	21	18
S8KA□B	N-m	0.19	0.23	0.32	0.38	0.48	0.57	0.64	0.79	0.95	1.14	1.14	1.43	1.71	2.06	2.29	2.57	3.09	3.86	4.63	5.14	6.17	7.72	7.84	7.84
	oz-in	27.0	32.4	45.0	54.0	67.4	80.9	89.9	112.4	134.9	161.9	161.9	202.3	242.8	291.3	323.7	364.2	437.0	546.3	655.5	728.4	874.0	1092.5	1110.1	1110.1
	kgf·cm	1.9	2.3	3.2	3.9	4.9	5.8	6.5	8.1	9.7	11.7	11.7	14.6	17.5	21.0	23.3	26.2	31.5	39.4	47.2	52.5	63.0	78.7	80.0	80.0

S8D40-90A

MODEL	GEAR RATIO	3	3.6	5	6	7.5	9	10	12.5	15	18	20	25	30	36	40	50	60	75	90	100	120	150	180	200
	No Load rpm		1067	889	640	533	427	356	320	256	213	178	160	128	107	89	80	64	53	43	36	32	27	21	18
S8KA□B	N-m	0.31	0.37	0.52	0.62	0.77	0.93	1.03	1.29	1.55	1.86	1.86	2.32	2.79	3.34	3.71	4.18	5.02	6.27	7.52	7.84	7.84	7.84	7.84	7.84
	oz-in	43.8	52.6	73.1	87.7	109.6	131.5	146.1	182.7	219.2	263.0	263.0	328.8	394.5	473.4	526.0	591.8	710.2	887.7	1065.2	1110.1	1110.1	1110.1	1110.1	1110.1
	kgf·cm	3.2	3.8	5.3	6.3	7.9	9.5	10.5	13.2	15.8	19.0	19.0	23.7	28.4	34.1	37.9	42.6	51.2	64.0	76.8	80.0	80.0	80.0	80.0	80.0

- The code in ■ of gearhead model is for gear ratio
- It is the permissible torque of the assembled motor and gearhead
 The permissible torque of the combination of the regular gearhead and the inter-decimal gearhead is 30kgf·cm.
- ■ color indicates that the output shaft of the geared motor rotates in the same direction as the output shaft of the motor.
 Others indicate rotation in the opposite direction.
- No Load rpm equals Motor no load rpm divided by gear ratio. The actual rotation speed is less 2-20% than the displayed value according to the load
- There is no marked the 'L' code for it is an exclusive use.