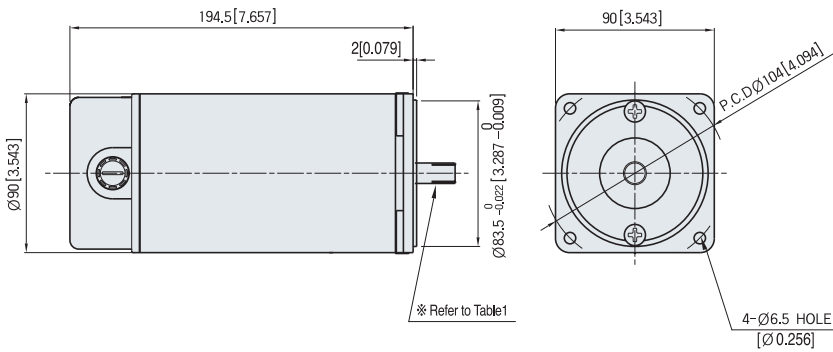


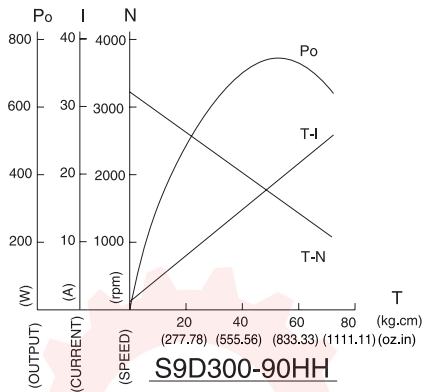
# STANDARD TYPE S9D SERIES [300W]

## MOTOR DIMENSION

UNIT : mm[inch]



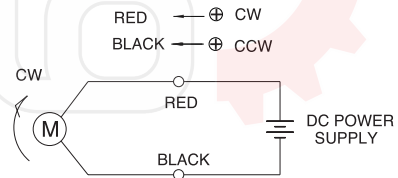
## CHARACTERISTIC CURVE



### ▼ SPEC for output shaft of motor-(Table1)

MODEL	GEARED TYPE	STRAIGHT TYPE	D-CUT TYPE	KEY TYPE
	S9D300-□HH	S9D300-□S	S9D300-□D	S9D300-□K
TYPE OF OUTPUT SHAFT				

## CIRCUIT DIAGRAM



The direction of motor rotation is as viewed from the front shaft end of the motor

## MOTOR SPECIFICATION

( Voltage : DC 24V)

Type	Voltage V	Output W	No Load		At Rated Load			Run Duty Hr	Weight Kg	
			Speed RPM	Current(MAX.) A	Speed RPM	Torque				Current A
S9D300-24□	24	300	3000	1.4	2520	1.137	N-m	13.9	2000	4.7
						161.0	oz-in			
						11.60	kgf · cm			
S9D300-90□	90	300	3000	0.5	2700	1.058	N-m	4.2	2000	4.7
						149.9	oz-in			
						10.80	kgf · cm			

※ Run duty is valued at rated Voltage and No load

