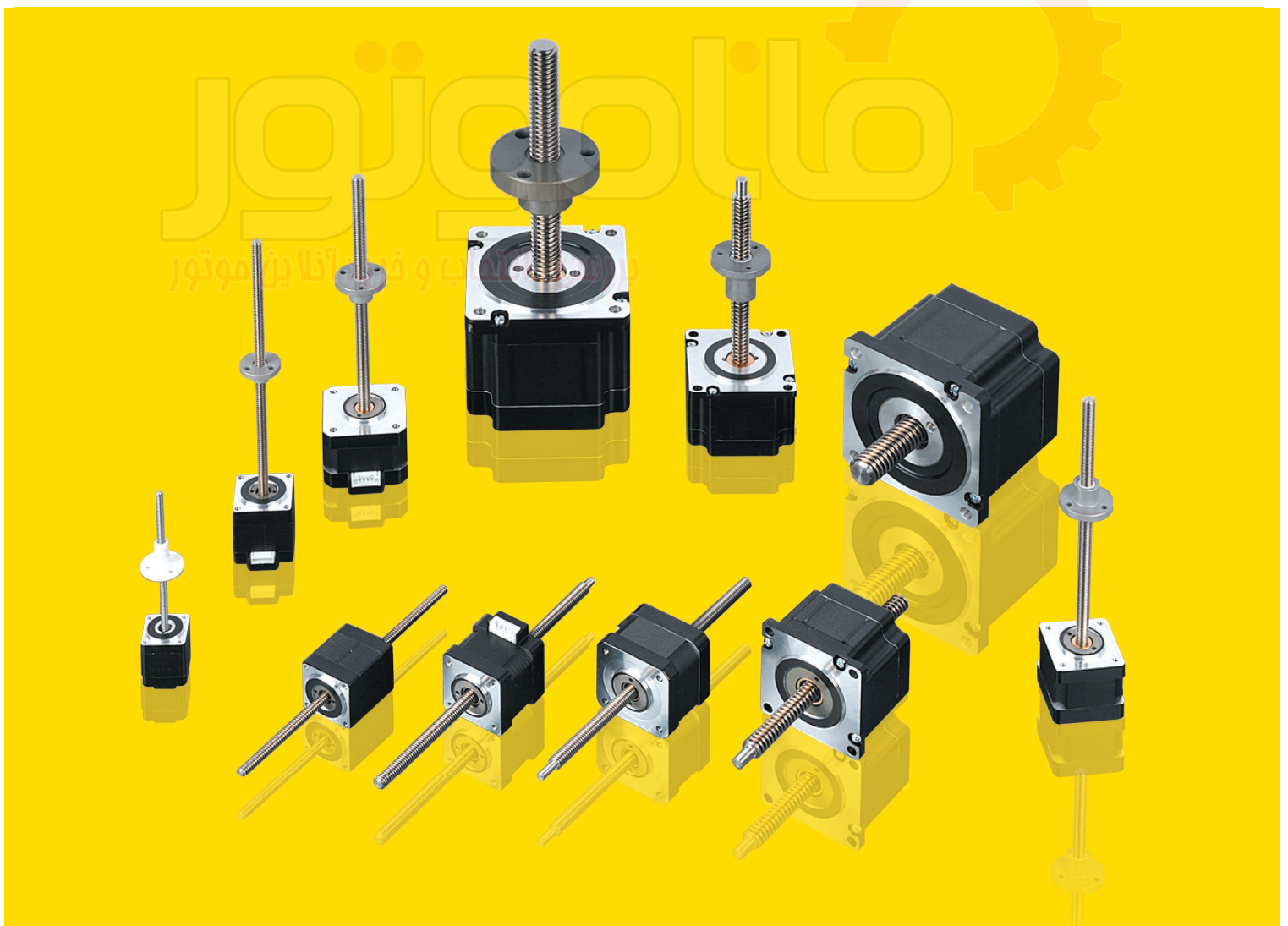


Ezi-LINEARSTEP®

Linear Step System with closed loop control

- Durable Compact Linear Actuator
- Precision Hybrid Stepper Motor Drive
- High Precision Positioning
- High Speed Linear Motion
- Easy To Use





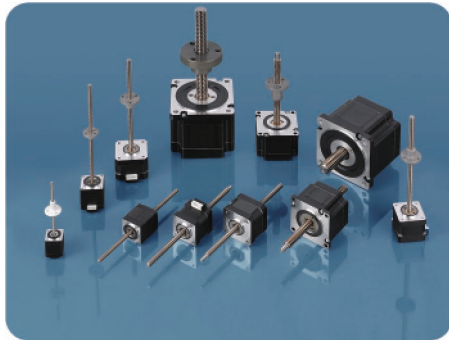
FASTECH PRECISION HYBRID STEPPER LINEAR ACTUATORS

● Frame Size and Performance

Hybrid Single Stack				
Motor Size	Motor Frame (mm Square)	Max Force(N)	Linear Travel per Step(mm)*	Max,Linear Power (watts)
8	20	44	0.0061–0.04	0.37
11	27	90	0.0032–0.0508	0.51
14	35	220	0.0030–0.0488	1.5
17	42	220	0.030–0.127	2.31
23	57	890	0.0030–0.127	6
34	86	2224	0.0051–0.127	21.19

بررسی، انتخاب و خرید آنلاین موتور

Hybrid Double Stack				
Motor Size	Motor Frame (mm Square)	Max Force(N)	Linear Travel Per Step(mm)*	Max,Linear Power (watts)
8	20	60	0.0061–0.04	0.7
11	28	133	0.0032–0.0508	1.14
14	35	220	0.0030–0.0488	2.7
17	42	337	0.0030–0.127	4.62
23	57	890	0.0031–0.127	10.08



● Directory

3	Part number code
4	Motor size with available lead screw list
5	SIZE8 22mm hybrid stepper motor linear actuators
6	SIZE11 28mm hybrid stepper motor linear actuators
7-8	SIZE14 35mm hybrid stepper motor linear actuators
9-10	SIZE17 42mm hybrid stepper motor linear actuators
11-12	SIZE23 57mm hybrid stepper motor linear actuators
12-13	SIZE34 86mm hybrid stepper motor linear actuators

Since you are using inch leads you should also provide the Linear Travel in Inches/step.

● Part Number Code

LN 23 H 2 046 – 100 4 – 6 012 XX

1 2 3 4 5 6 7 8 9 10

1 Motor Style

LN : Nut drive style. The nut is integrated with the motor rotor, when the screw is held captive and not allowed to rotate it will move linearly.

LS : The lead screw is directly connected to the motor rotor, when the external nut is held captive, it will move linearly on the rotating screw.

6

Motor rated current per phase. The number divided by 100 is the current value.
For example: 100 means 1A.

2 Motor Size

Code	8	11	14	17	23	34
Motor Size (mm Square)	20	28	35	42	57	86

7

Lead wire number.

3

H means hybrid stepper motor.

8

Lead screw diameter.
3–3.5mm, 4–4.8mm, 6–6.35mm, 9–9.53mm, A–16mm

4

Motor phases. 2 phases are available for all sizes with a 1.8 degree step angle, 2 phases with 0.9 deg step angle and 3 phases with 1.2 deg step angle and 5 phases with 0.72 deg step angle are available for some sizes.

9

Lead screw's lead code. The code divided by 1000 is the lead value(Inch). For example: 012 means the lead is 0.012 inch.

5

Motor body length, in mm.

10

Customer code, unique code for each custom motor. I did not know if you wanted custom of customer.

● Motor size with available lead screw list

motor size (mm)	screw Dia. (in)	screw dia. (mm)	Lead (in)	Lead (mm)	travel per step (mm)*
20x20	0,138	3,5052	0,048	1,2192	0,006096
20x20	0,138	3,5052	0,079	2	0,01
20x20	0,138	3,5052	0,158	4	0,02
20x20	0,138	3,5052	0,315	8	0,04
28x28	0,188	4,7625	0,025	0,635	0,003175
28x28	0,188	4,7752	0,050	1,7	0,00635
28x28	0,188	4,7752	0,100	2,54	0,0127
28x28	0,188	4,7752	0,200	5,08	0,0254
28x28	0,188	4,7752	0,400	10,16	0,0508
35x35/42x42	0,250	6,35	0,048	1,2192	0,006096
35x35/42x42	0,250	6,35	0,050	1,27	0,00635
35x35/42x42	0,250	6,35	0,063	1,6002	0,008001
35x35/42x42	0,250	6,35	0,096	2,4384	0,012192
35x35/42x42	0,250	6,35	0,100	2,54	0,0127
35x35/42x42	0,250	6,35	0,192	4,8768	0,02384
35x35/42x42	0,250	6,35	0,250	6,35	0,03175
35x35/42x42	0,250	6,35	0,330	8,382	0,04191
35x35/42x42	0,250	6,35	0,384	9,7536	0,048768
57x57	0,375	9,525	0,025	0,635	0,003175
57x57	0,375	9,525	0,050	1,27	0,00635
57x57	0,375	9,525	0,063	1,6002	0,008001
57x57	0,375	9,525	0,083	2,1082	0,010541
57x57	0,375	9,525	0,100	2,54	0,0127
57x57	0,375	9,525	0,125	3,175	0,015875
57x57	0,375	9,525	0,167	4,2418	0,021209
57x57	0,375	9,525	0,200	5,08	0,0254
57x57	0,375	9,525	0,250	6,35	0,03175
57x57	0,375	9,525	0,375	9,525	0,047625
57x57	0,375	9,525	0,384	9,7536	0,048768
57x57	0,375	9,525	0,500	12,7	0,0635
57x57	0,375	9,525	1,000	25,4	0,127
87x87	0,625	15,875	0,100	2,54	0,0127
87x87	0,625	15,875	0,125	3,175	0,015875
87x87	0,625	15,875	0,200	5,08	0,0254
87x87	0,625	15,875	0,250	6,35	0,03175
87x87	0,625	15,875	1,000	25,4	0,127

LN style motor combination should be selected from above list, LS style motors have more options, Please contact Fastech for details.

The travel per step listed above is based on the 2 phases 1,8 deg step angle motor, the travel per step will vary with 0,9 deg, 3 phase, 5 phases motors.

● SIZE8 20mm Hybrid stepper motor linear actuators

Available travel per step: 0.006mm, 0.01mm, 0.02mm, 0.04mm, max thrust force is up to 40N.

Motor characteristics(not limited as the list, customization is welcome):



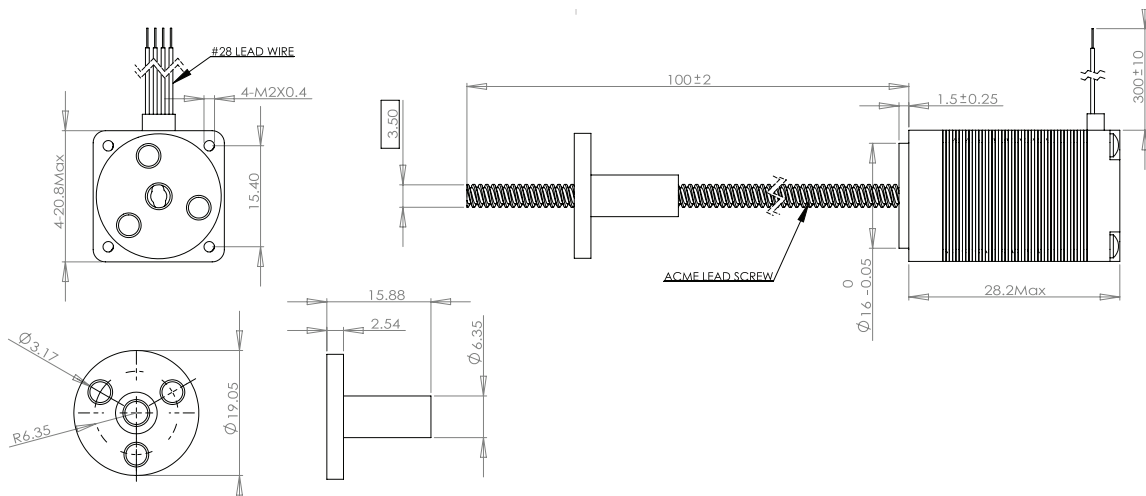
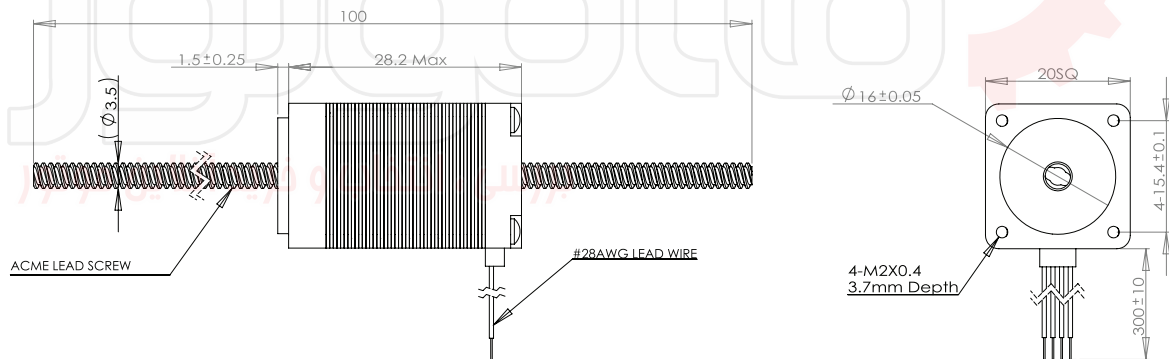
Motor type	Current/phase	Res./phase	Inductance	lead wire no.	Motor Length
L□8H2028-0304	0,3A	200hm+/-10%	5,0mH+/-20%	4	28mm
L□8H2028-0504	0,5A	50hm+/-10%	1,5mH+/-20%	4	28mm
L□8H2038-0604	0,6A	100hm+/-10%	5,5mH+/-20%	4	38mm

Available lead screws and travel per step:

screw Dia. (in)	screw dia. (mm)	Lead (in)	Lead (mm)	Travel per step (mm)*
0,138	3,5052	0,048	1,2192	0,0061
0,138	3,5052	0,079	2	0,01
0,138	3,5052	0,158	4	0,02
0,138	3,5052	0,315	8	0,04

* values truncated.

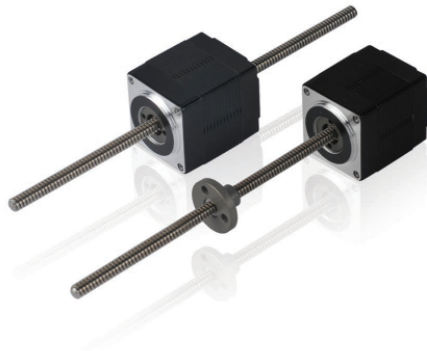
Dimension: (LN style above, LS style below) in mm.



Motor characteristics can be customized, please contact Fastech. Need a space between the value and Ohm; the same holds for Micro Henry. Lead wire no. should be just "Lead Wires". Don't forget to get dual units on travel/step, you can pick that off HSI's website. Can we consolidate and slip a drives into the catalogue? Don't forget to put the other products on the back cover!

● SIZE11 28mm Hybrid stepper motor linear actuators

Available travel per step from 0,003175mm to 0,05mm max thrust force is up to 80N.



Motor characteristics(not limited as the list, customization is welcome):

Motor type	Current/phase	Res./phase	Inductance	lead wire no.	Motor Length
L□11H2032-0204	0,2A	680hm+/-10%	39mH+/-20%	4	32mm
L□11H2032-0504	0,5A	100hm+/-10%	6mH+/-20%	4	32mm
L□11H2032-1004	1,0A	2,10hm+/-10%	1,5mH+/-20%	4	32mm
L□11H2032-0674	0,67A	6,80hm+/-10%	4,9mH+/-20%	4	45mm
L□11H2032-0954	0,95A	3,20hm+/-10%	5,0mH+/-20%	4	45mm
L□11H2032-2004	2,0A	1,10hm+/-10%	1,1mH+/-20%	4	45mm

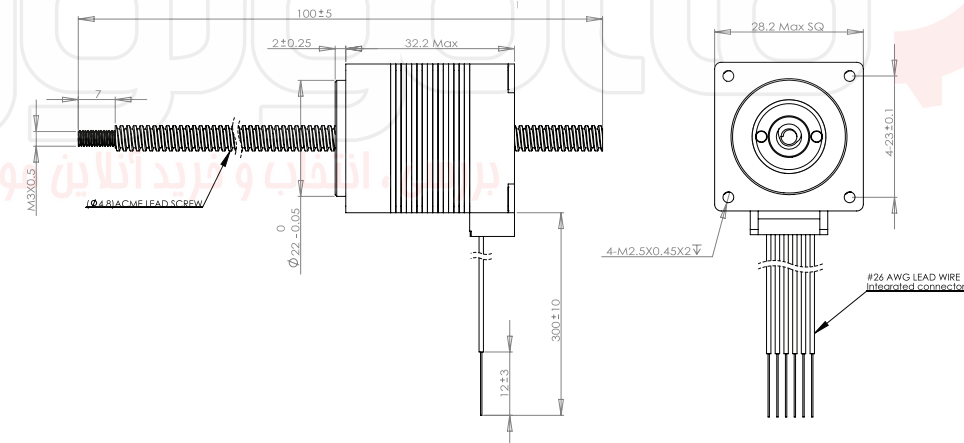
Available lead screws and travel per step:

screw Dia. (in)	screw dia. (mm)	Lead (in)	Lead (mm)	Travel per step (mm)*
0,188	4,7625	0,025	0,635	0,0032
0,188	4,7752	0,050	1,27	0,0063
0,188	4,7752	0,100	2,54	0,0127
0,188	4,7752	0,200	5,08	0,0254
0,188	4,7752	0,400	10,16	0,0508

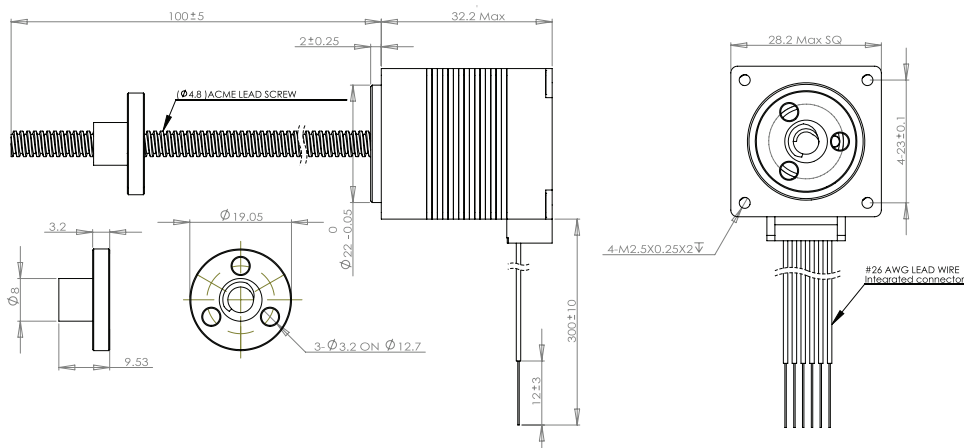
* values truncated.

Dimension(mm):

LN style



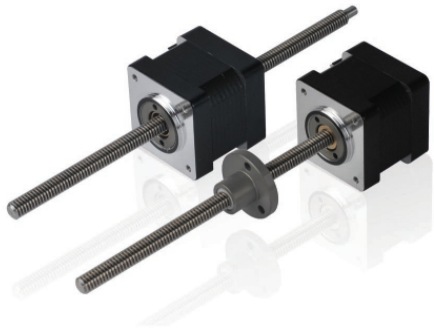
LS style



Motor characteristics can be customized, please contact Fastech. Need a space between the value and Ohm; the same holds for Micro Henry. Lead wire no. should be just "Lead Wires". Don't forget to get dual units on travel/step, you can pick that off HSI's website. Can we consolidate and slip a drives into the catalogue? Don't forget to put the other products on the back cover!

● SIZE14 35mm Hybrid stepper motor linear actuators

Available travel per step from 0.003mm to 0.048768mm, max thrust force is up to 200N.



Motor characteristics(not limited as the list, customization is welcome):

Motor type	Current/phase	Res./phase	Inductance	lead wire no.	Motor Length
L□8H2035-0504	0,5A	140hm+/-10%	20mH+/-20%	4	35mm
L□8H2035-1004	1,0A	3,50hm+/-10%	4mH+/-20%	4	35mm
L□8H2035-1504	1,5A	1,50hm+/-10%	2,0mH+/-20%	4	35mm
L□8H2045-0504	0,5A	280hm+/-10%	40mH+/-20%	4	45mm
L□8H2045-1004	1,0A	5,50hm+/-10%	7,6mH+/-20%	4	45mm
L□8H2045-2004	2,0A	1,20hm+/-10%	1,95mH+/-20%	4	45mm

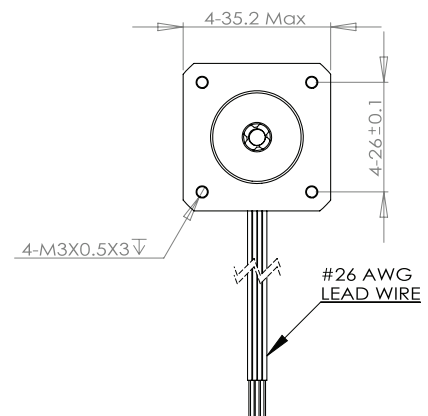
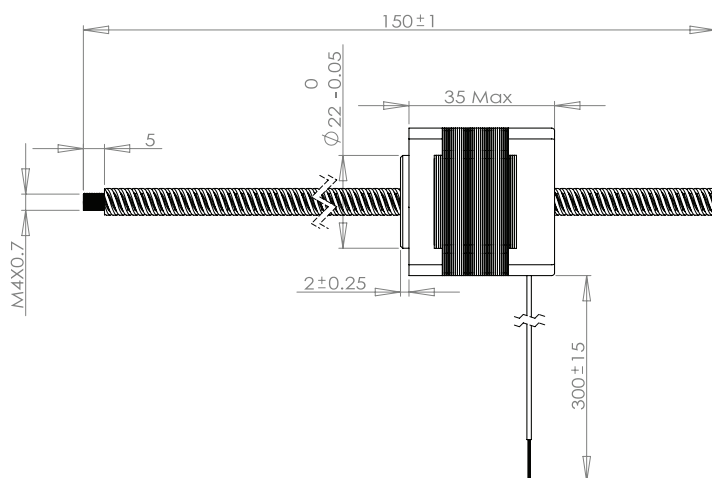
Available lead screws and travel per step:

screw Dia. (in)	screw dia. (mm)	Lead (in)	Lead (mm)	Travel per step @1.8deg (mm)	Travel per step @0.9deg (mm)*
0,250	6,35	0,048	1,2192	0,006	0,0030
0,250	6,35	0,050	1,227	0,006	0,0032
0,250	6,35	0,063	1,6002	0,008	0,0040
0,250	6,35	0,096	2,4384	0,012	0,0061
0,250	6,35	0,100	2,54	0,012	0,0064
0,250	6,35	0,192	4,8768	0,024	0,0122
0,250	6,35	0,250	6,35	0,031	0,0159
0,250	6,35	0,330	8,382	0,041	0,0210
0,250	6,35	0,384	9,7536	0,048	0,0244

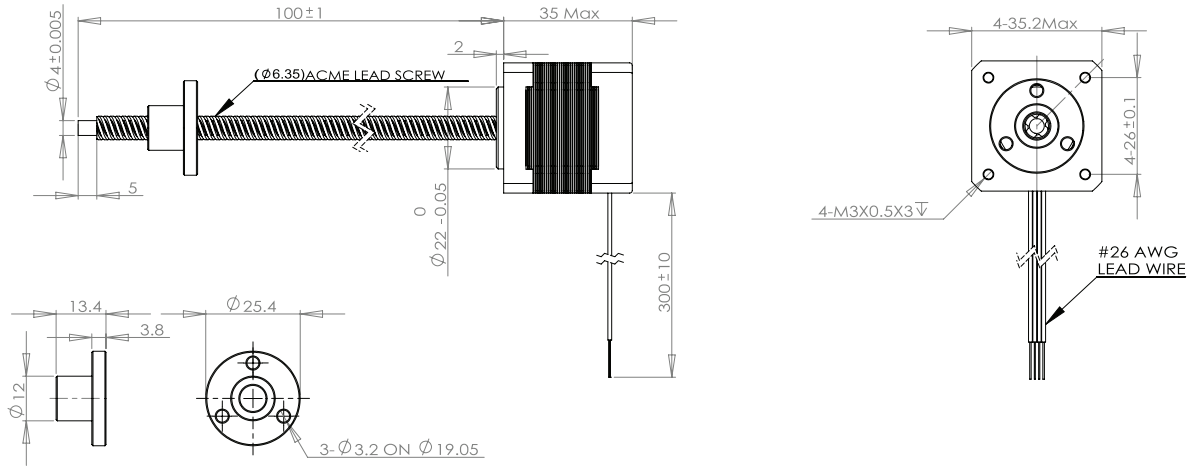
* values truncated.

Dimension(mm):

LN style



LS style

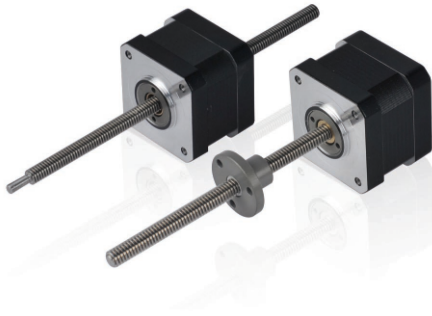


فاناموتور
بررسی، انتخاب و خرید آنلاین موتور

Motor characteristics can be customized, please contact Fastech, Need a space between the value and Ohm; the same holds for Micro Henry. Lead wire no. should be just "Lead Wires". Don't forget to get dual units on travel/step, you can pick that off HSI's website. Can we consolidate and slip a drives into the catalogue? Don't forget to put the other products on the back cover!

● SIZE17 42mm Hybrid stepper motor linear actuators

Available travel per step from 0.003mm to 0.127mm, max thrust force is up to 200N.



Motor characteristics(not limited as the list, customization is welcome):

Motor type	Current/phase	Res./phase	Inductance	lead wire no.	Motor Length
L□17H2034-0504	0,5A	160hm+/-10%	23mH+/-20%	4	34mm
L□17H2034-1004	1,0A	4,20hm+/-10%	6mH+/-20%	4	34mm
L□17H2034-1504	1,5A	1,80hm+/-10%	3mH+/-20%	4	34mm
L□17H2047-0504	0,5A	230hm+/-10%	50mH+/-20%	4	47mm
L□17H2047-1204	1,2A	3,50hm+/-10%	9mH+/-20%	4	47mm
L□17H2047-2504	2,5A	1,00hm+/-10%	1,5mH+/-20%	4	47mm

Available lead screws and travel per step:

screw Dia. (in)	screw dia. (mm)	Lead (in)	Lead (mm)	Travel per step @1.8deg (mm)	Travel per step @0.9deg (mm)*
0,250	6,35	0,048	1,2192	0,006	0,0030
0,250	6,35	0,050	1,27	0,006	0,0032
0,250	6,35	0,063	1,6002	0,008	0,0040
0,250	6,35	0,096	2,4384	0,012	0,0061
0,250	6,35	0,100	2,54	0,012	0,0064
0,250	6,35	0,192	4,8768	0,024	0,0122
0,250	6,35	0,250	6,35	0,031	0,0159
0,250	6,35	0,330	8,382	0,041	0,0210
0,250	6,35	0,384	9,7536	0,048	0,0244
0,375	9,525	0,025	0,635	0,003	0,0016
0,375	9,525	0,050	1,27	0,006	0,0032
0,375	9,525	0,063	1,6002	0,008	0,0040
0,375	9,525	0,083	2,1082	0,010	0,0053
0,375	9,525	0,100	2,54	0,012	0,0064
0,375	9,525	0,125	3,175	0,015	0,0079
0,375	9,525	0,167	4,2418	0,021	0,0106
0,375	9,525	0,200	5,08	0,025	0,0127
0,375	9,525	0,250	6,35	0,031	0,0159
0,375	9,525	0,375	9,525	0,047	0,0238
0,375	9,525	0,384	9,7536	0,048	0,0244
0,375	9,525	0,500	12,7	0,063	0,0318
0,375	9,525	1,000	25,4	0,127	0,0635

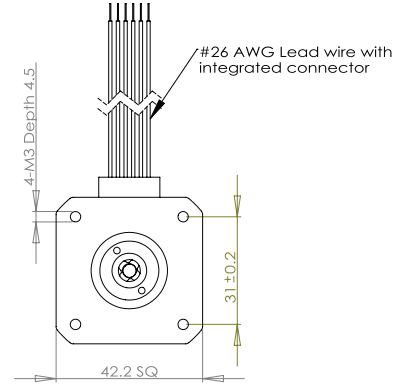
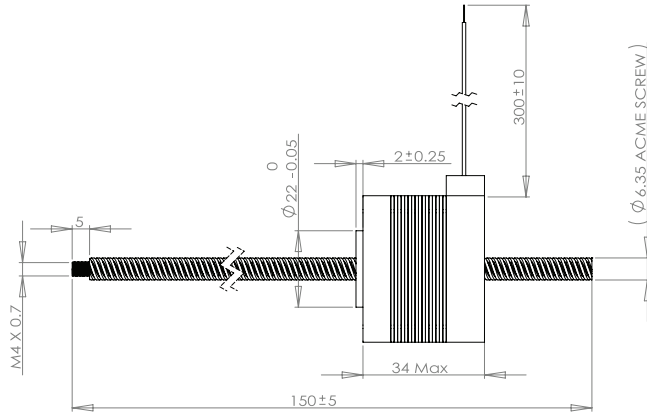
* values truncated.

All above screws can be used on LS style actuator, LN actuator can only select dia 6.35mm screws.

Motor characteristics can be customized, please contact Fastech, Need a space between the value and Ohm; the same holds for Micro Henry. Lead wire no.should be just "Lead Wires". Don't for get dual units on travel/step, you can pick that off HSI's website. Can we consolidate and slip a drives into the catalogue? Don't forget to put the other products on the back cover!

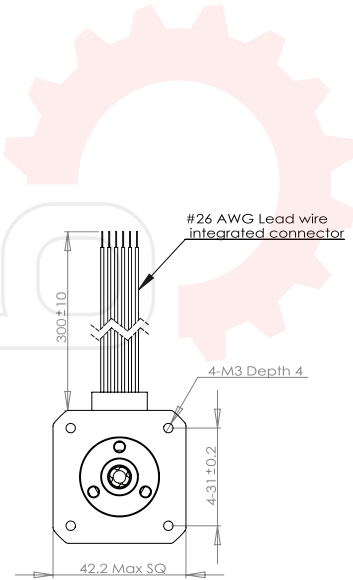
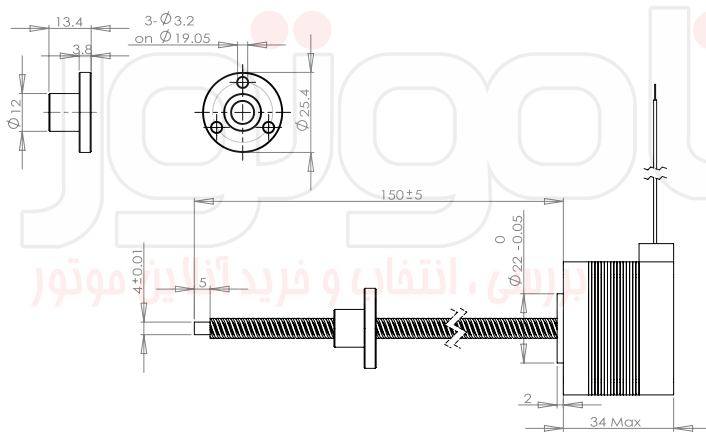
Dimension(mm):

LN style

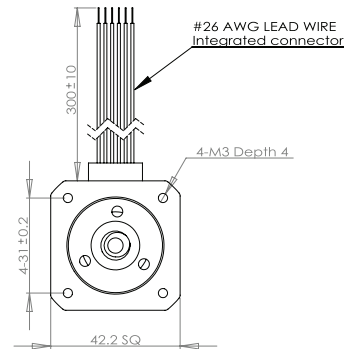
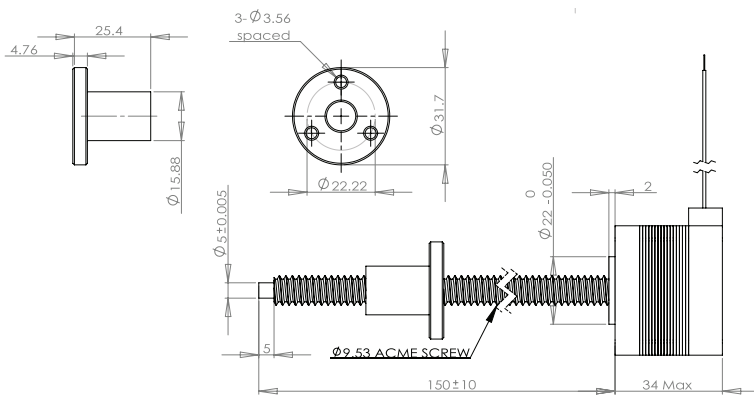


LS style

Dia. 6,35mm screw

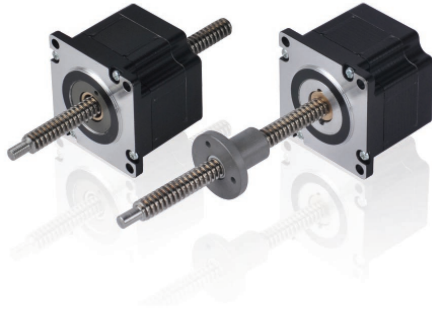


Dia. 9,53mm screw



● SIZE23 57mm Hybrid stepper motor linear actuators

Available travel per step from 0.003mm to 0.127mm, max thrust force is up to 800N.



Motor characteristics(not limited as the list, customization is welcome):

Motor type	Current/phase	Res./phase	Inductance	lead wire no.	Motor Length
L□23H2046-1004	1,0A	5,00hm+/-10%	15,7mH+/-20%	4	46mm
L□23H2046-2004	2,0A	1,40hm+/-10%	4,1mH+/-20%	4	46mm
L□23H2046-3004	3,0A	0,60hm+/-10%	1,9mH+/-20%	4	46mm
L□23H2066-1004	1,0A	120hm+/-10%	35mH+/-20%	4	66mm
L□23H2066-2504	2,5A	2,00hm+/-10%	7,6mH+/-20%	4	66mm
L□23H2066-4004	4,0A	0,70hm+/-10%	2,1mH+/-20%	4	66mm

Available lead screws and travel per step:

screw Dia. (in)	screw dia. (mm)	Lead (in)	Lead (mm)	Travel per step @1.8deg (mm)	Travel per step @0.9deg (mm)*
0,375	9,525	0,025	0,635	0,003	0,0016
0,375	9,525	0,050	1,27	0,006	0,0032
0,375	9,525	0,063	1,6002	0,008	0,0040
0,375	9,525	0,083	2,1082	0,010	0,0053
0,375	9,525	0,100	2,54	0,012	0,0064
0,375	9,525	0,125	3,175	0,015	0,0079
0,375	9,525	0,167	4,2418	0,021	0,0106
0,375	9,525	0,200	5,08	0,025	0,0127
0,375	9,525	0,250	6,35	0,031	0,0159
0,375	9,525	0,375	9,525	0,047	0,0238
0,375	9,525	0,384	9,7536	0,048	0,0244
0,375	9,525	0,500	12,7	0,063	0,0318
0,375	9,525	1,000	25,4	0,127	0,0635
0,625	15,875	0,100	2,54	0,012	0,0060
0,625	15,875	0,125	3,175	0,015	0,0075
0,625	15,845	0,200	5,08	0,025	0,0125
0,625	15,875	0,250	6,35	0,031	0,0155
0,625	15,875	1,000	25,4	0,127	0,0635

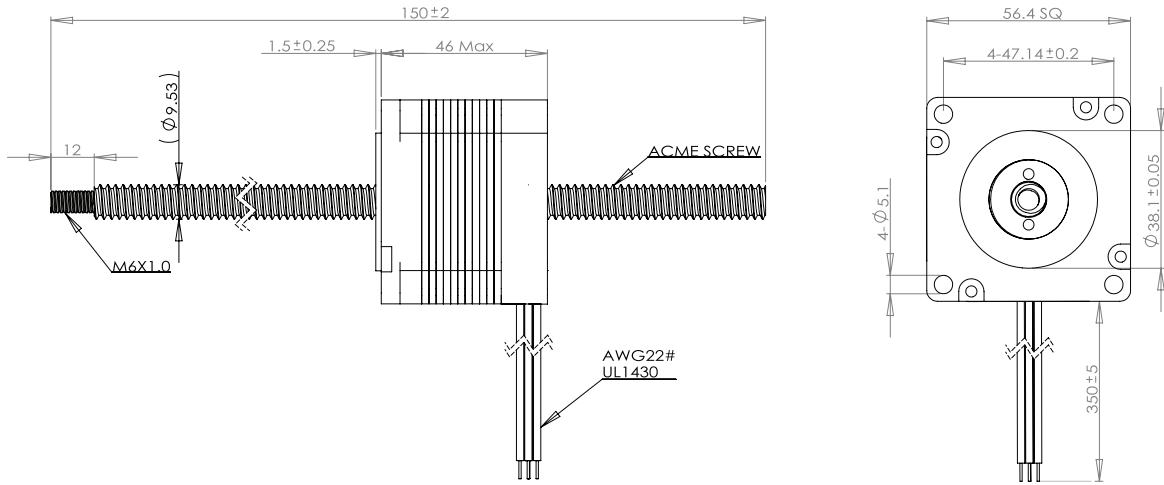
* values truncated.

All above screws can be used on LS style actuator. LN actuators can only select dia 9,525mm screws.

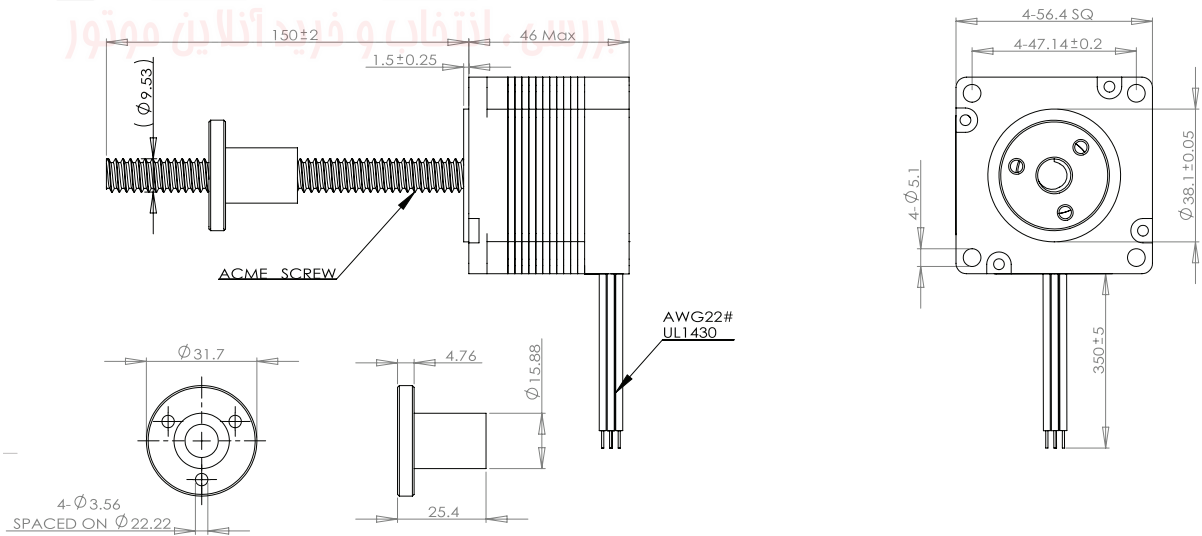
Motor characteristics can be customized, please contact Fastech. Need a space between the value and Ohm; the same holds for Micro Henry. Lead wire no. should be just "Lead Wires". Don't forget to get dual units on travel/step, you can pick that off HSI's website. Can we consolidate and slip a drives into the catalogue? Don't forget to put the other products on the back cover!

Dimension(mm):

LN style



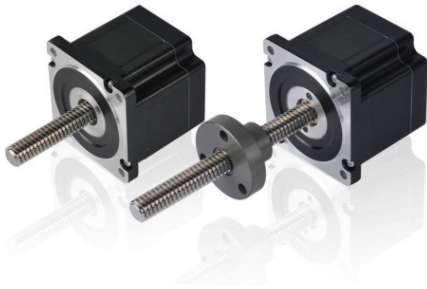
LS style



FASTECH Ezi-LINEARSTEP

● SIZE34 86mm Hybrid stepper motor linear actuators

Available travel per step from 0.00508mm to 0.127mm, max thrust force is up to 2000N.



Motor characteristics(not limited as the list, customization is welcome):

Motor type	Current/phase	Res./phase	Inductance	lead wire no.	Motor Length
L□34H2080-1304	1,3A	9,20hm+/-10%	51mH+/-20%	4	80mm
L□34H2080-3004	3,0A	1,60hm+/-10%	8,8mH+/-20%	4	80mm
L□34H2080-5504	5,5A	0,520hm+/-10%	2,9mH+/-20%	4	80mm

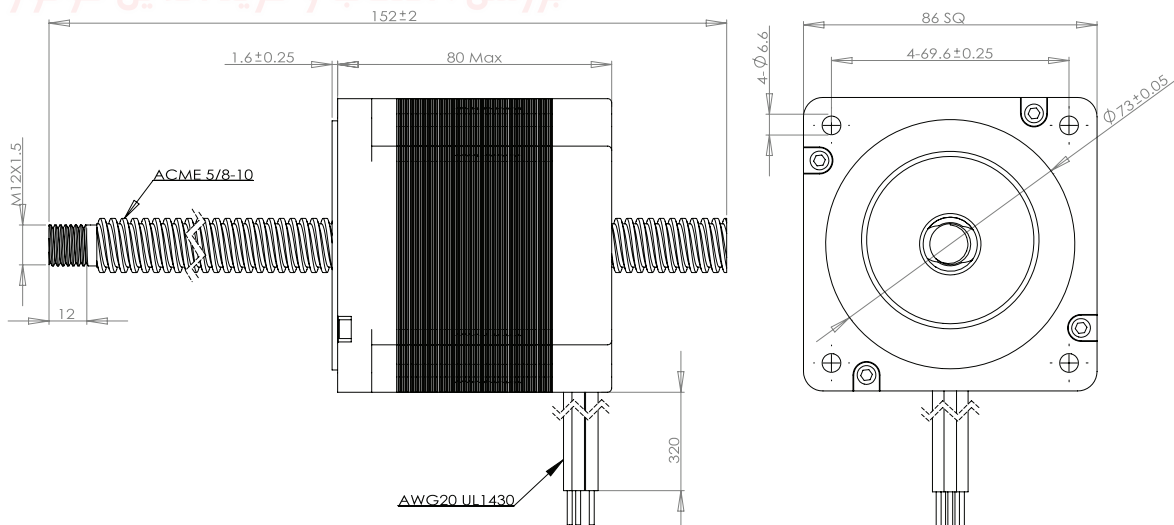
Available lead screws and travel per step:

screw Dia. (in)	screw dia. (mm)	Lead (in)	Lead (mm)	Travel per step @1.8deg (mm)	Travel per step @0.72deg (mm)*
0,625	15,875	0,100	2,54	0,012	0,0051
0,625	15,875	0,125	3,175	0,015	0,0064
0,625	15,845	0,200	5,08	0,025	0,0102
0,625	15,875	0,250	6,35	0,031	0,0127
0,625	15,875	1,000	25,4	0,127	0,0508

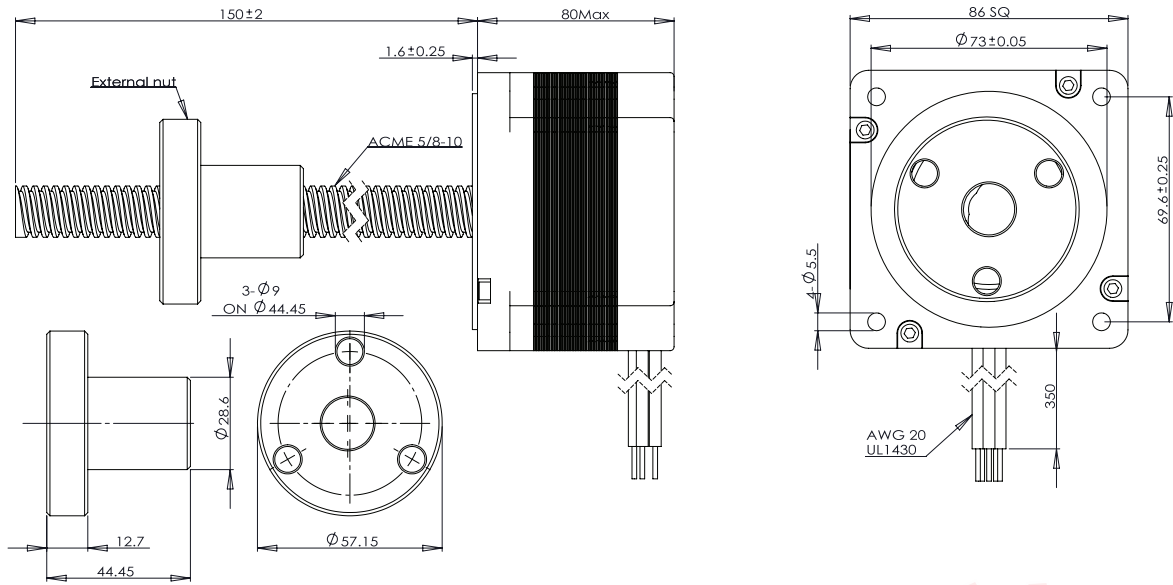
* values truncated.

Dimension(mm):

LN style



LS style



Motor characteristics can be customized, please contact Fastech. Need a space between the value and Ohm; the same holds for Micro Henry. Lead wire no. should be just "Lead Wires". Don't forget to get dual units on travel/step, you can pick that off HSI's website. Can we consolidate and slip a drives into the catalogue? Don't forget to put the other products on the back cover!



FASTECH Co., Ltd.

Rm #1202, Bucheon Technopark 401 Dong, Yakdae-dong,
Wonmi-Gu, Bucheon-si, Gyeonggi-do, Rep. Of Korea (Zip:420-734)
TEL : 82-32-234-6300, 6301 FAX : 82-32-234-6302
Email : fastech@fastech.co.kr Homepage : www.fastech.co.kr

FASTECH USA

2585 Mariners Way SE
Southport, NC 28461 USA
TEL : 910.795.2380 Email : fastech@fastech.co.kr
Homepage : www.fastech-us.com